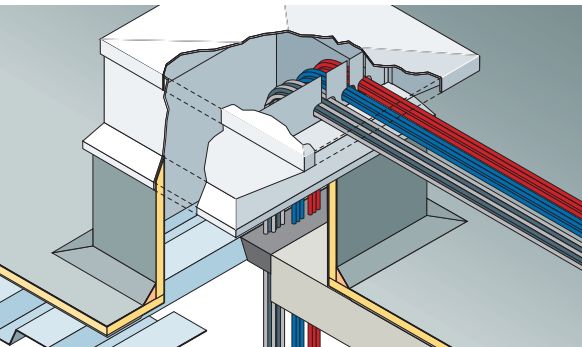
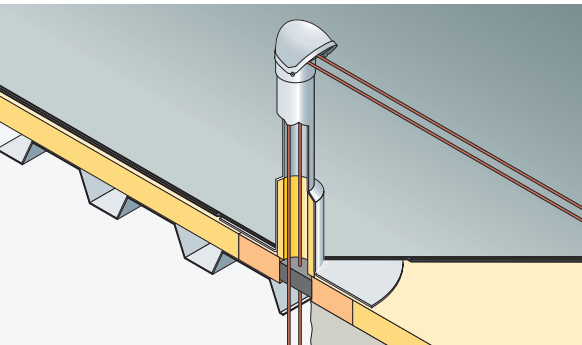


Uniclass	JP3		
CISFB	(5-) (68.6)		



PP-3 & ROOF-NEK



ACCESS RISERS & UPSTANDS FOR SERVICES

Tel: 01536 383865



PP-3 & ROOF-NEK

SERVICE ACCESS RISERS & UPSTANDS

The ROOF-PRO risers provide the building team and service engineers a consistent quality solution for necessary penetrative details on flat roofs.

PP-3 and Roof-Nek offer increased assurances that the cable and pipe access points will be efficiently water tight and insulated. The design allows M&E trades easy access to run cable and pipes. Once installed, the building is immediately dry, and following trades can fully access the riser by temporarily removing the lid. The vapour seal should be made at deck level.

THE PP-3

The PP-3 provides a service access point to run cables and pipes into the building. The PP-3 is the larger of the two access systems and can be designed to accommodate your project's dimensions.

Features

The PP-3 is made for waterproof durability encompassing an easy access design which includes:

- Powder coated zinc finish – for durability.
- Pre-primed base section – for quick installation into the waterproofing membrane.
- Cover flashing – deep enough to permit vertical insulation.
- Removable access lid – gives clear working access for M&E contractors.
- Aluminium pull-out panel – cut without risk of corrosion to services profile for added weather protection.
- Future proof – upstand height sufficient for future waterproofing without decommissioning.
- Cowl projects over opening for weather protection.

Models

We can offer standard models that can be delivered to site next day. The models are based on aperture opening dimensions.

PP-3 1875 180mm high x 755mm wide. This unit is suitable for a large number of refrigeration lines, cable trays/ladders, or up to 4/no 50mm diameter medium F & R pipes (including insulation and waterproofing).

PP-3 3040 300mm high x 400mm wide. This unit is suitable for a number of refrigeration lines double stacked, cable trays/ladders, or up to 2/no 175mm diameter medium F & R pipes (including insulation and waterproofing) .

PP-3 2020 200mm high x 200mm wide. This unit is suitable for a number of refrigeration lines, cable trays/ladders, or up to 4/no 80mm maximum diameter small pipes (including insulation and waterproofing).



1. Mechanically fix the base unit to the deck.



2. Waterproof the base and upstand.



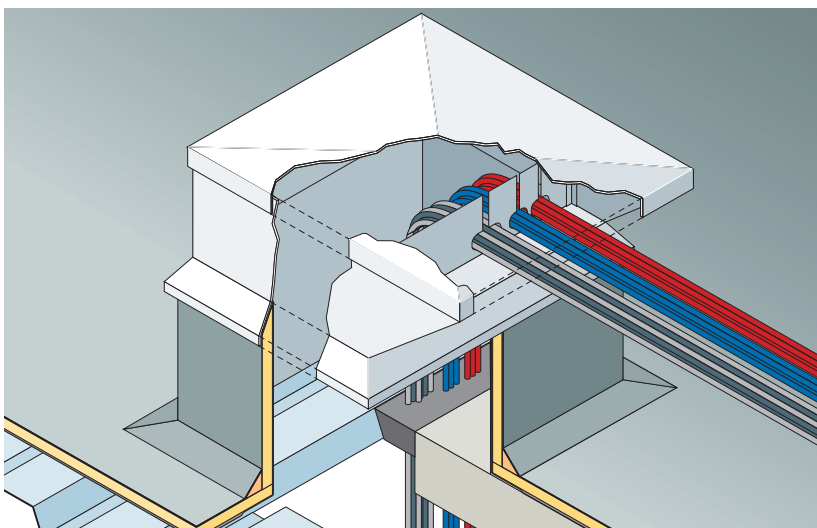
3. Fit main body to the base with fixing bolts.



4. Cut pull-out panel to pipe work.



5. Position and bolt the lid.



Five stage installation

PP-3 & ROOF-NEK

SERVICE ACCESS RISERS & UPSTANDS



The Roof-Nek upstand facilitates the support of small service pipes and cables with a durable easy access design.

THE ROOF-NEK

Based on the same principle as the PP-3, the Roof-Nek not only provides cable access for contractors but actually facilitates the design process by allowing the division of responsibility.

Features

The Roof-Nek is made for waterproof durability encompassing an easy access design which includes:

- Spun aluminium base.
- Large area to bond waterproofing.
- Detachable access lid.
- Future proof – height sufficient for future waterproofing without decommissioning.
- Pipe/cable port plate with knock-out holes.



In order to advise on product selection ROOF-PRO will require information such as:

Size and quantity of services

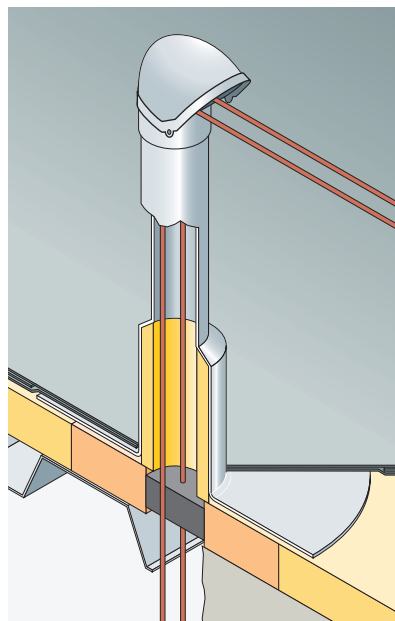
Pipe diameter including insulation thickness, cable bending radius, cable tray/ladder size.

Roofing construction

Deck type, insulation thickness, type of insulation, the waterproofing membrane type and both insulation and waterproofing manufacturer's details.

IMPORTANT

Approval of the waterproofing detail for 'guaranteed roofing systems' is to be sought from the membrane manufacturer.



1. Mechanically fix the base unit to the deck.



2. Waterproof the base and upstand.

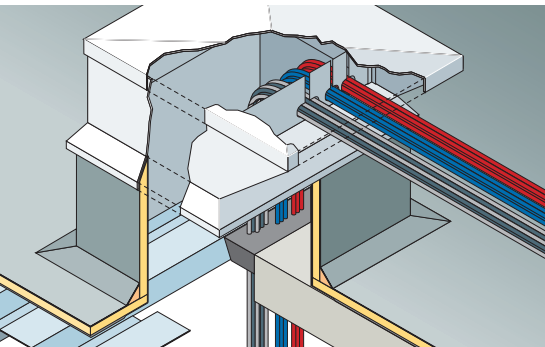


3. Use knock holes to take pipes/cables through.

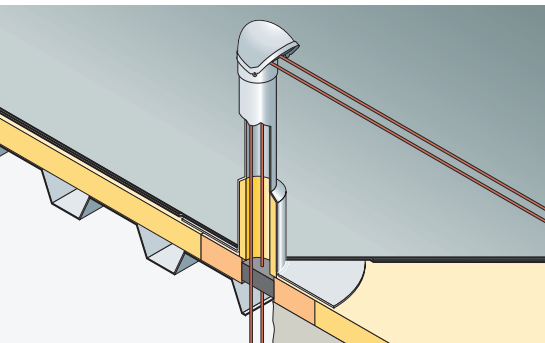


4. Position clip-on lid.

Four stage installation



PP-3 & ROOF-NEK



E-MAIL ADDRESSES

sales@roof-pro.co.uk – orders & deliveries.

CAD@roof-pro.co.uk – drawings & estimating.

Firstname.surname@roof-pro.co.uk – area sales managers & technical support.

info@roof-pro.co.uk – all other inquiries.

www.roof-pro.co.uk