



# ROOF-PRO

ROOFTOP MANAGEMENT SYSTEMS



SUPPORTS FOR BUILDING SERVICES | ACCESS SYSTEMS | EDGE PROTECTION | DRAINAGE SOLUTIONS | ROOFTOP ACCESSORIES

[www.roof-pro.co.uk](http://www.roof-pro.co.uk)

## Roof-Pro is part of Alumasc Exterior Building Products

Illustrated are the businesses that make up Building Products, offering a diverse range of market leading systems.



# CONTENTS

Roof-Pro support systems	4
The Roof-Pro service	9
Cable management solutions	11
Pipe support solutions	12
Duct support solutions	14
Mechanical unit support solutions	16
Condenser unit support solutions	18
Access system solutions	20
Standardised roof services supports	22
Ancillary products	24



Since 1995, Roof-Pro has specialised in the development and provision of a comprehensive range of free-standing, non-penetrative building services support solutions, edge protection systems, ventilation products and rainwater products for refurbishment projects for flat roofs.

Our Technical Team will provide a complete design, tailored to individual project requirements, along with all supporting specification, CAD and product-specific documentation.

A 20 Year warranty is available for projects subject to compliance with Roof-Pro's project specific specification and installation recommendations.

Roof-Pro systems are designed to provide a future-proof solution for supporting building services.

The Roof-Pro solution is flexible and efficient, supporting services from 50mm pipes to 10,000 kg AHU's independently on a range of flat roof designs.

Roof-Pro is part of the tried, tested and trusted Alumasc Roofing Systems product range.



DESIGNED TO EACH INDIVIDUAL ROOF  
STRUCTURE UTILISING STANDARD AND  
BESPOKE DESIGNS

Roof-Pro support systems are designed to each individual roof structure utilising standard and bespoke designs to provide stability, weight distribution and building clearance, ensuring your services are fully supported without the need for penetrative design details to the waterproofing.

Roof-Pro has extensive experience of working with specifiers and contractors on a range of projects, from refurbishment to new build. Consultation is available at design stage for best results, but can be conducted at various stages of the build process with multiple disciplines to ensure objectives are achieved.





A COMPREHENSIVE  
ROOFTOP SUPPORT  
SOLUTION

At Roof-Pro we have developed a number of support solutions covering all the areas of building service's needs, each designed with Roof-Pro specialist components. The systems range includes:

- Supports for ladder and cable trays.
- Small to large pipe supports.
- Support systems for AHUs, heat pumps and chillers.
- Duct, attenuator and extract fan supports.
- Condenser supports, small splits, VRV and VRF.
- Access, step-overs, and maintenance platforms.





# COMPONENT FEATURES

SUPPORT BASES ARE STRATEGICALLY UTILISED WITH THE SUPPORT FRAMES TO MANAGE THE LOAD

A variety of Roof-Pro support bases are strategically utilised with the support frames to manage the load and provide services maximum stability without membrane penetration. The bases incorporate a pivot and threaded adjuster for roof clearance and on-site adjustments, allowing services to sit true on the roof gradient.





HOT DIP GALVANISED  
SUPPORT FRAME

Roof-Pro understand the need for flexibility. Every hot dip galvanised support frame is engineered to the specific requirements of each project. Services can be easily installed and even combined on our frames which can adjust with the building's needs. Frames are prefabricated and quality checked before site delivery, ensuring that installation is simple and quick.

TAB SUPPORT BASES

For small/medium pipes and cable trays the TAB support base offers a broad support. The extended base with twin threaded uprights allows support to pipes at finitely adjustable heights. The TAB utilises a slotted bracket permitting the quick and easy removal of the base and studs during re-roofing.

PIVOT/THREADED  
SUPPORT BASES

A variety of Roof-Pro support bases are strategically utilised with the support frames to manage the load and provide services maximum stability without membrane penetration. The bases incorporate a pivot and threaded adjuster for roof clearance and on-site adjustments, allowing services to sit true on the roof gradient.



# ROOF REFURBISHMENT MADE EASY

QUICKLY AND SIMPLY POSITIONED ON THE  
ROOF FINISH WITHOUT PENETRATING OR  
DAMAGING THE MEMBRANE

Roof-Pro supports are quickly and simply positioned on the roof finish without penetrating or damaging the membrane. Building services and equipment are supported above the finished level of the roof providing clearance, which facilitates maintenance and re-roofing without expensive decommissioning of building services.



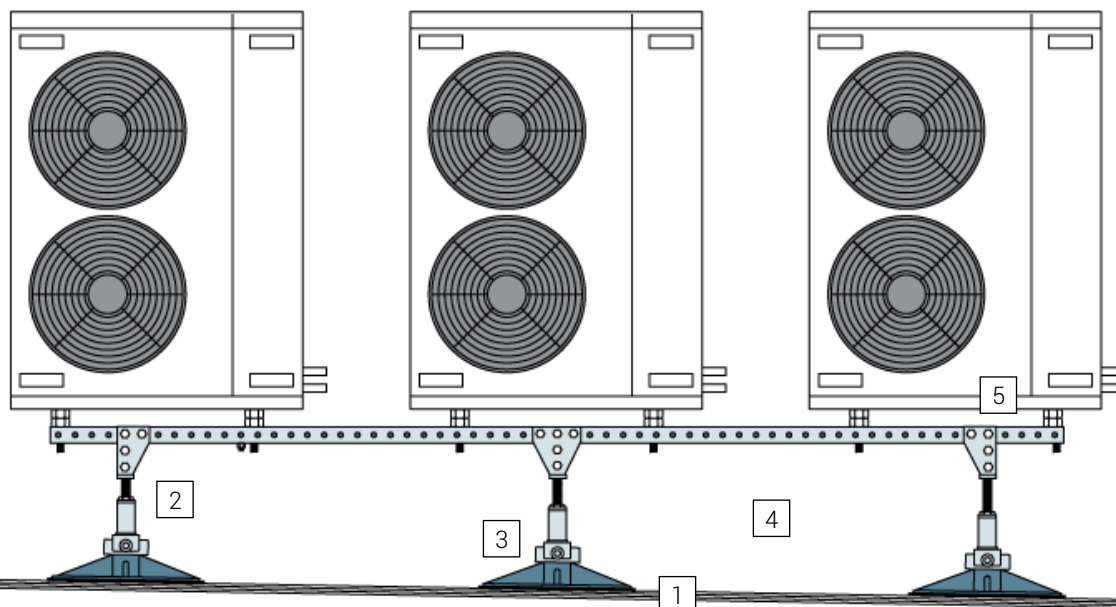


- 1 No penetrations to the roofing membrane. Facilitates airtight roof design – no thermal bridging (Part L).

2 Height adjustable supports

5 Support leg can be detached permitting a staged refurbishment of the roofing membrane.
- 3 Pivot and threaded adjustment to accommodate roof gradient. This feature allows the feet to adjust by up to 8 degrees giving added flexibility and stability when used on pitched roofing.

4 Building clearance facilitating access for roofing maintenance.



### SUSTAINABILITY

Current legislative and environmental trends call for greater environmental accountability in the design and use of buildings. The specification of the Roof-Pro System contributes towards a sustainable building design.

- Non-penetrative – Facilitates airtight envelope design and eliminates cold bridging (Part L).
- Life cycle – Roof-Pro System is flexible, adjusting to the long term needs of the roof and services.
- Increased roof service life – Elimination of vulnerable penetration detailing and the facilitation of membrane repair.

### A RISK-FREE SOLUTION

The non-penetrative design of Roof-Pro avoids the risks of leaks that are often associated with complex detailing at vulnerable junctions on the roof. Contractors and designers can also have peace of mind that the Roof-Pro System is engineered by our design team with stability and weight distribution as a primary principle.

### ROOF REFURBISHMENT MADE EASY

The Roof-Pro support systems allow access to the roof surface, making refurbishments and maintenance efficient and simple. The support bases on our frames can be removed following our method statements, allowing for re-roofing without interruption to building services.

### DESIGN AND PROGRAMMING FLEXIBILITY

Because Roof-Pro supports are independent of the roof assembly, there is no pressure for premature decision making on the required positioning of supports. This allows mechanical and electrical engineers to establish their requirements, and then for Roof-Pro to provide the support system that best meets these requirements.

Correlation of relevant design information permits a co-ordinated proposal at tender stage that can be revised as the project evolves.

### NO PROBLEMS CO-ORDINATING ROOFING WORK ACTIVITIES

Project management is more straightforward because there is less need to co-ordinate different activities. The lightweight nature of Roof-Pro supports, and their independence from the waterproof membrane, allow different trades to work in an autonomous way. A flat roofing contractor can be presented with an uninterrupted area of roof. No subcontractor is required to form upstands.

The M&E trades can access the roof when it is finished to carry out their work.

### RELIABILITY AND FAST DELIVERY

We realise how important it is to make sure systems are delivered on time. At

Roof-Pro, we go out of our way to develop our operations so we can pull out all the stops when you need us to. Many of our products, including customised frames, can be turned around quickly with our dedicated production planning.

## THE ROOF-PRO SERVICE

### ROOF-PRO THREE-POINT CERTIFICATION COVERS:

For full delivery of system objectives, our Three-Point Certification represents an undertaking that Roof-Pro installations meet the high quality standards expected by our clients. The certificate assesses stability and design, and also ensures that future requirements are incorporated. A rigorously trained and monitored installation network, ensuring correct application on site.

#### THREE-POINT CERTIFICATION COVERS:

1. **Stability** – We make calculations of your services stability, including wind loadings.
2. **Load Management** – We design our supports within the structural and waterproofing assembly limits set by the structural consultants.
3. **Building Clearance** – We make considerations in our designs for vertical and horizontal clearance for safety, aesthetic and future roofing maintenance purposes.



### ASSISTANCE

- **Surveying** – Site or office visit to evaluate your needs and detail your requirements.
- **Estimating** – A detailed project costing including all relevant designs.
- **Calculations** – An engineered assessment of the building services stability and load management.
- **CAD** – Co-ordinated drawings showing how our system will operate on your project.
- **Co-ordination** – With key members of the project team.
- **Delivery** – Working closely with our logistic partners we make sure you have your goods on site, on time.
- **After-sales** – O & M documentation with liaison and consultation on long term maintenance issues and re-roofing requirements.

### TECHNICAL EXPERTISE

We not only offer the best in system design, we also provide technical support and advice. We aim to ensure that the building owner gets a superior and cost effective solution for the management of rooftop services every time.

- We will recommend and design the most appropriate support system for a particular roof assembly.
- We work in a holistic way – understanding the roof assembly as a whole, and how various structural elements and our solutions integrate within the construction. We not only provide the best solution, we can also identify potential issues and advise accordingly.



### ROOF-PRO ROOFTOP MANAGEMENT SYSTEMS



# CABLE MANAGEMENT SOLUTIONS

A range of cable tray and ladder support systems is provided for the effective management of rooftop cabling. Utilising the TAB support bases our cable management solutions provide effective clearance and flexibility for future changes in the building's service's needs.

## SMALL CABLE TRAY

The TAB-C utilises a single broad base that provides effective non-penetrative support for cable tray runs carrying low pipe and cable volumes.

Installation is simple with each cable tray support comprising galvanised studding that permits locating and levelling of service runs.



## MEDIUM TO LARGE CABLE TRAY / LADDER

Where there is a project requirement for medium to larger cable tray volumes then the TAB-C 500, 750, and 1000 provide sturdy yet flexible support.

Each support consists of two height adjustable TAB supports with an open channel at widths of 500, 750 or 1000mm, with bespoke sizes available upon request.



## MULTIPLE TRAYS/ LADDERS

The TAB-2C system provides support for multiple tiers of cabling on twin support beams. The system is designed to allow a high density of service support with minimum space implications. Capacity can be easily increased with the

TAB-C 500/750/1000 EK, which extends the TAB support from one to two tiers.

The extender kit can also be retro-fitted, providing life cycle flexibility for future installations.



# SUPPORT FOR PIPES

The Roof-Pro range of pipe support solutions utilise our specialist components so pipes will be secure and stable. The non-penetrative base supports aid flexibility in the positioning and installation of pipes, facilitating future re-routing and maintenance access.

## SMALL TO MEDIUM PIPES

For small to medium pipes the TAB-P system provides support via an adjustable collar and threaded rods. The pipe suspension system enables pipe levels to be finitely adjusted on site so that the pipes can retain the required clearance regardless of the fall on the roof. The galvanised frames provide the hanging system with a sturdy framework utilising a threaded adjuster pivoting leg for frame height adjustments.

The TAB-P support system can be used on site to support a run of lightweight pipes up to 50mm in diameter. The TAB system supports pipes on an open channel allowing

for positioning of the pipe clips. The threaded adjuster on the

TAB-P is adjustable to accommodate roof falls, aiding the levelling of pipes.

The threaded upright supports are adjustable to accommodate roof falls, or should a back fall be required for the pipework.



## MEDIUM TO LARGE PIPES

The RP-P or DPK system is designed to provide flexible yet sturdy support for medium to large pipes. The system provides ample clearance for access to the roofing membrane for re-roofing and maintenance. On the threaded supports 80mm of thread should be visible at the highest point of the roof to allow for subsequent re-roofing.

Bracing to supports can be provided by Roof-Pro where necessary.



## LARGE PIPES

For larger pipes, the RP-POD system provides a solid support for large pipes.

Utilising the pivot bases and threaded adjusters the system of supports still has the flexibility of the other Roof-Pro systems whilst utilising channel beams for greater stability. The system is flexible enough to accommodate additional bases spreading the load over a greater area.





# SUPPORT FOR PIPES

## SYSTEM DESIGN

The pipe support systems detailed are the most common configurations of each system for rooftop applications.

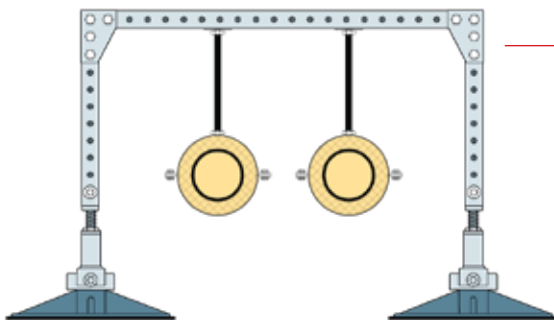
We will advise on selecting the best pipe system and if any further design configurations are required. Information that will help us to assist you includes:

## PIPEWORK

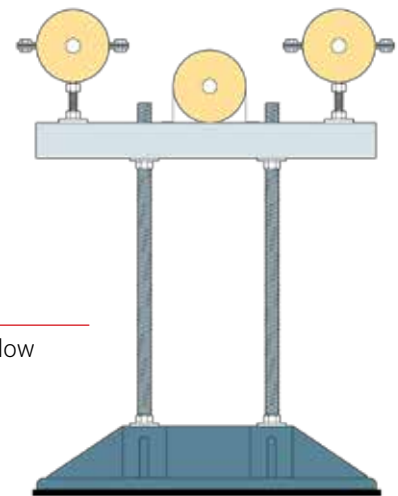
- Nominal bore/wall thickness of pipes.
- Type and thickness of pipe insulation.
- Support centres.
- Target height of pipe work.
- Type of pipe and contents.
- Pipe centre lines.
- Anticipated thermal expansion of pipes.
- Supporting preference.
- General layout drawing.

## ROOF

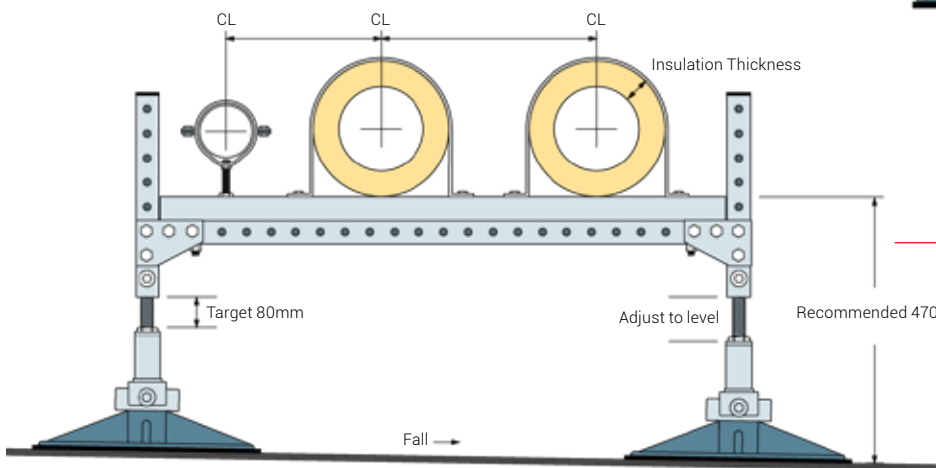
- Deck type and construction.
- Insulation type and thickness.
- Technical membrane specification.
- Application details.
- Structural limitations.
- Roof fall and direction.
- Obstruction details.
- Expansion joint type and locations.



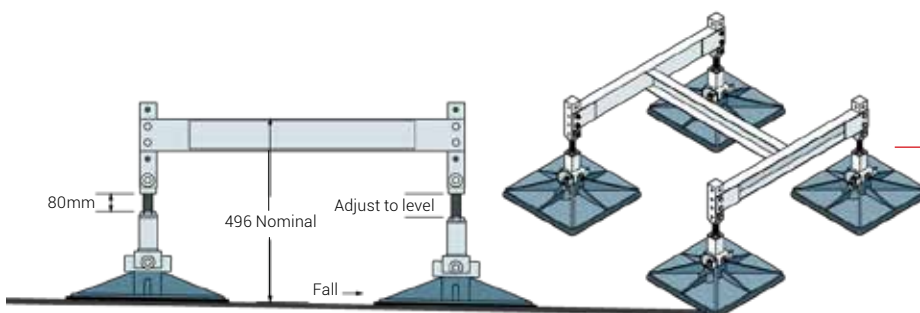
RP-P or DPK  
Suspended Pipework



SYSTEM TAB-P  
Supported from below



SYSTEM RP-P or DPK  
Supported from below



SYSTEM RP-POD  
Supported from below

# SUPPORT FOR DUCTS

The Roof-Pro duct support solutions maintain ducting in place on a roof at the required target height. The ductwork system can be designed to be supported from above or below in combination with other services such as pipes and cables whilst retaining the integrity of the roofing assembly.

## SMALL TO MEDIUM DUCTS

The TAB-D system clamps the duct at the target height utilising a solid base support with twin threaded uprights.

The system allows for changes in height and variation in duct sizes. There are three standard support beam sizes of 500mm, 750mm and 1000mm.

Bespoke sizes are also available.



## LARGE DUCTS

For larger ductwork, with a top height greater than 1000mm, the RP-D or DPK system is recommended.

This system can be designed to work with virtually any sized duct run in parallel with other systems.



## MULTIPLE DUCT SUPPORTS

For ductwork that runs in parallel and of different sizes we have a number of options that provide a solution. The

RP-D or DPK system is designed for ductwork of various configurations.

For ducts that are to be supported above one another, the RP-2D or RP-2DPK provides a solid framework with adjustable bases for on-site adjustments.





# SUPPORT FOR DUCTS

## SYSTEM DESIGN

The duct support systems detailed are the most common configurations of each system for roof top applications.

We will advise on selecting the best duct system and if any further design configurations are required. Information that will help us to assist you includes:

## DUCTWORK

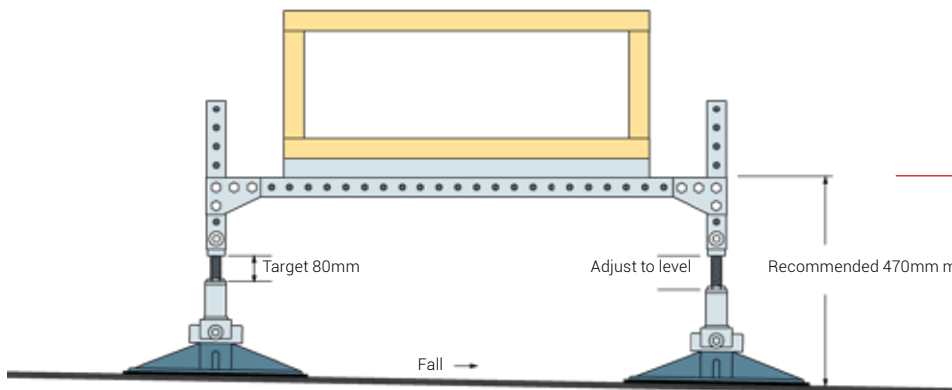
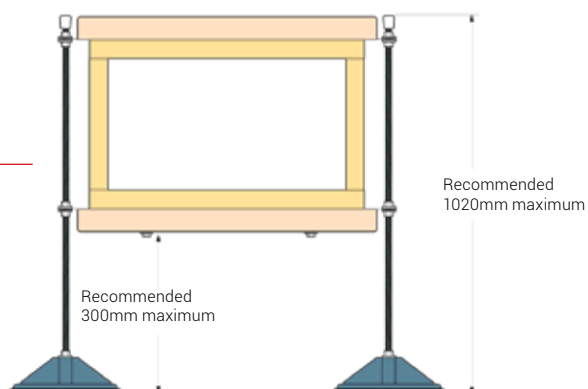
- Insulation – Note that insulated ducts require a non-compressible packer.
- Dimensions.
- Target height.
- Support centres.
- Position and mass of attenuators.
- General layout drawing.

## ROOF

- Deck type and construction.
- Insulation type and thickness.
- Technical membrane specification.
- Application details.
- Structural limitations.
- Roof fall and direction.
- Obstruction details.
- Expansion joint type and locations.

### SMALL TO MEDIUM DUCTS

System TAB-D-500, 750, 1000

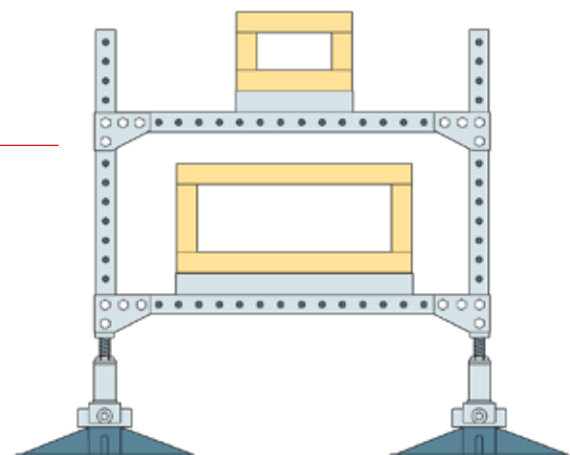


### LARGE DUCTS

System RP-D or DPK

### MULTIPLE DUCT SUPPORTS

SYSTEM RP-2D or RP-2DPK



# SUPPORT FOR AIR HANDLING UNITS, HEAT PUMPS & CHILLERS

The Roof-Pro System provides a valuable service solution for plant equipment on flat roofs. Our ability to support some of the largest specialised units such as air handling units, heat pumps and chillers means that expensive decommissioning of services can be prevented during future roof maintenance, resulting in economical project co-ordination and services maintenance.

## SMALL TO MEDIUM UNITS

The RP-PF system supports plant that requires a broader support base to give greater stability. The system works by a series of connected frames with connecting sliding beams (CSB) to give flexibility for unit size. Typical equipment that may be supported on this frame are AHUs.

The particular frame arrangement spreads the loads over a number of bases.



## LARGE HEAVY UNITS

For heavy units, a suitable support solution that works with the roof design is critical for distributing the services weight. The RP-POD utilises a galvanised steel pod arrangement, facilitating the distribution of the point loads over four interconnected support bases.

The POD frame is supported by the flexibility of the pivot and threaded adjusters which keep the equipment level and clear from the roof surface.



# SUPPORT FOR AIR HANDLING UNITS, HEAT PUMPS & CHILLERS

## SYSTEM DESIGN

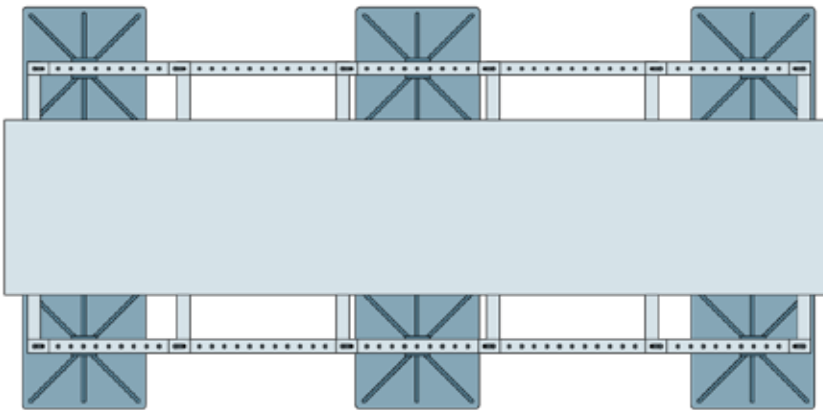
The mechanical unit support systems detailed are the most common configurations of each system for roof top applications. We will advise on selecting the best mechanical unit system and if any further design configurations are required. Information that will help us to assist you includes:

## MECHANICAL UNITS

- Unit dimensions.
- Weight, centre of gravity.
- Anti-vibration mounting (AVM).
- Weight at each AVM location.
- Unit details.
- Access requirements.

## ROOF

- Deck type.
- Roof structure.
- Insulation details.
- Membrane details.
- Application details.
- Structural limitations.
- Roof fall and direction.
- Obstruction details.

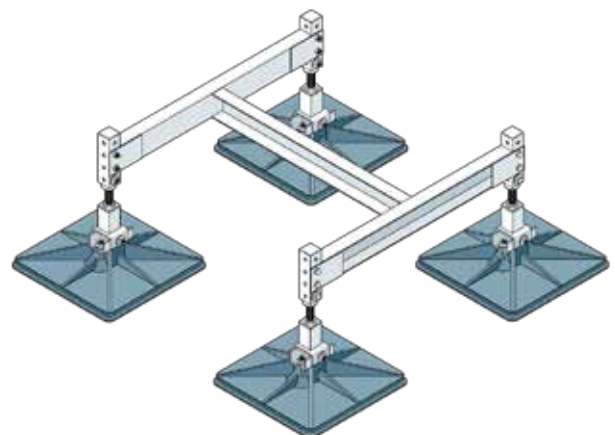
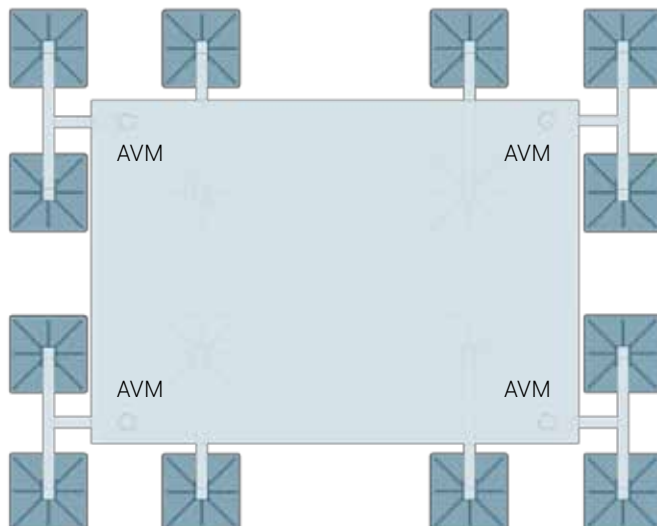


SUPPORT ON CONNECTING SLIDING BEAMS SPANNING ACROSS FRAMES

SYSTEM RP-PF

## QUARTERED SUPPORT FOR HEAVY LOADING

Supported from below





# SUPPORT FOR CONDENSERS

The Roof-Pro PF range is developed in a number of standard designs to support external condenser units. The PF range has been designed for maximum stability taking into account the weight and height of the units.

## SYSTEM OPTIONS

The Roof-Pro range of condenser supports comprises various frames and connecting slide beams to provide a flexible support system. The PF designs can support multiple condensers and can be used in combination for larger installations. Each frame design supports quick and simple installation requiring no drilling or on-site fabrication, just standard fixings. Standard design options are available, or we can design a support system to suit.



# SUPPORT FOR CONDENSERS

## SYSTEM DESIGN

The condenser unit support systems detailed are the most common configurations of each system for roof top applications. We will advise on selecting the best condenser support system and if any further design configurations are required. Information that will help us to assist you includes:

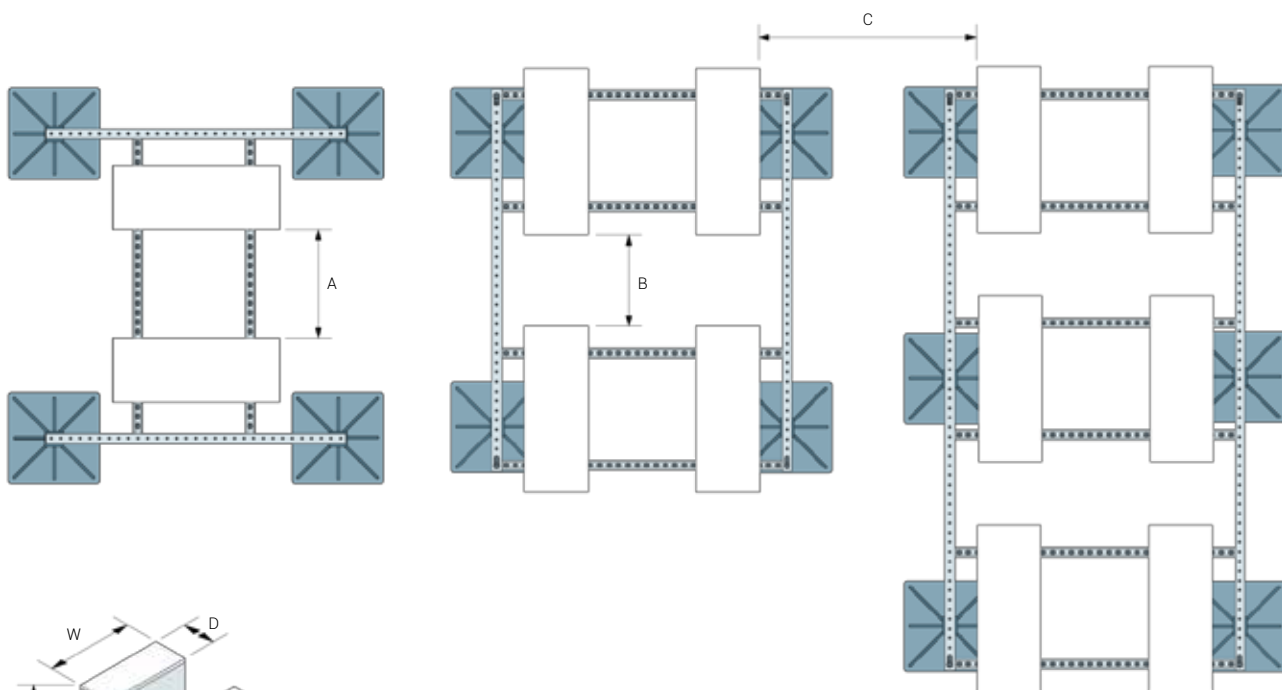
## CONDENSERS

- Unit dimensions (H x W x D).
- Weight/centre of gravity.
- Target height  
(critical for wind loading appraisal).
- Operating distances.

## ROOF

- Roof construction.
- Insulation details.
- Membrane details.
- Structural limitations.
- Roof fall and direction.
- Obstruction details.

## TYPICAL ROOF-PRO STANDARD DESIGN ASSEMBLIES



SYSTEM PF-1

Single or two condensers back to back

SYSTEM PF-2

Two or Four condensers back to back

SYSTEM PF-3

Three or six condensers back to back

# WALKWAYS, STEP-OVERS & ACCESS PLATFORMS

The Roof-Pro range of access solutions is engineered to aid workers' safe passage over or around service equipment on flat roofs. Each system is designed to BS 5395 and the requirements of the roof layout, with non-penetrative support bases providing stability and flexibility.

## WALKWAYS

Walkway designs provide personnel protection from trips and falls around service equipment and parapet edges.

The installation is customised to the roof layout offering unimpeded pedestrian access to congested areas. Walkways are fabricated to include guard rails and open mesh flooring made from galvanised mild steel. Each design includes Roof-Pro support bases to provide easy positioning and levelling.



## STEP-OVERS

The Roof-Pro step-over solutions provide personnel free movement around the roof overcoming impeding features that may cause injury. Each step-over is engineered to the particular requirements of the roof and designed to comply with BS 5395. There is no concern for penetrative fixings or trying to get the step-over level. The Roof-Pro pivot and threaded support bases can be adjusted on site and moved easily for maintenance access.



## ACCESS PLATFORMS

For servicing plant and equipment we can design maintenance access platforms that work with your mechanical units so as to allow engineers unimpeded access that is secure and stable.

Produced from hot dip galvanised components, the freestanding platform caters for on-site levelling via the threaded bases elevating the platform to the required height.





# WALKWAYS, STEP-OVERS & ACCESS PLATFORMS

## SYSTEM DESIGN

The access systems detailed are the most common configurations of each system for roof top applications. We will advise on selecting the best access system and if any further design configurations are required. Information that will help us to assist you includes:

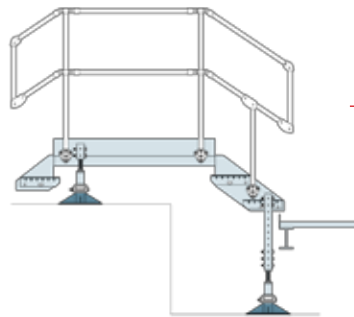
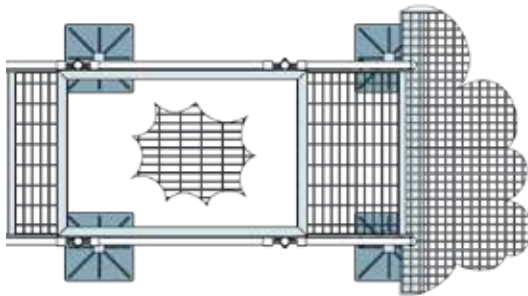
## ACCESS

- British Standards requirements.
- Target heights.
- Dimensions.
- Obstructions.
- Density of traffic.

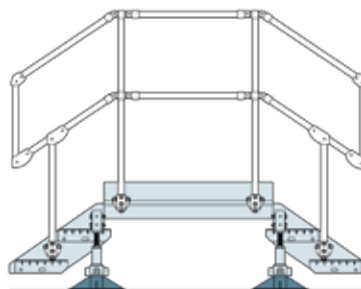
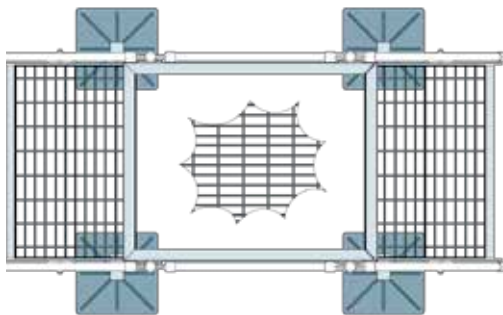
## ROOF

- Structural limitations.
- Roof fall and direction.
- Obstruction details.

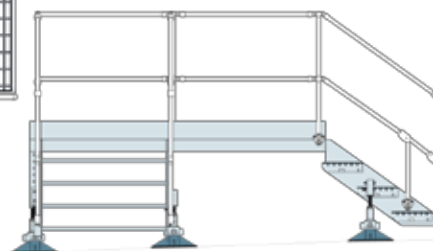
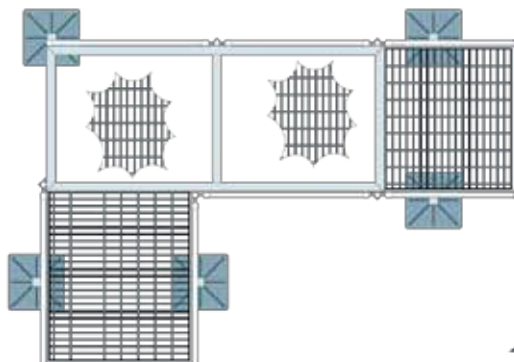
AVAILABLE IN GALVANISED STEEL OR ALUMINIUM  
PRODUCTS ALSO ARRIVE ON-SITE SEMI CONSTRUCTED TO SAVE VALUABLE TIME DURING FINAL APPLICATION



WALKWAY



STEP-OVER



ACCESS PLATFORM

## STANDARDISED ROOF SERVICES SUPPORTS



## **Modular Support Systems**

### Sure-Foot Components

The Sure-Foot Components range forms part of a cost-effective, non-penetrative support solution for roof plant, access and services. Compatible with a standard 41x41mm strut, Sure-Foot Components provide versatile solutions that reduce complex, costly and time-consuming detailing.

### Sure-Foot H Frame Supports

Sure-Foot H Frames are a simple solution, ideal for use with ductwork, pipework and cable trays. Depending on project requirements, complete H Frames or H Frame Kits (H Props) can be supplied.

### Sure-Foot Modular Frame Supports

Sure-Foot standard modular frames provide effective support solutions for various types of roof plant. Sure-Foot long span modular frames are suitable for the support of larger and wider building services units.

### Sure-Foot Edge Protection

Sure-Foot Guardrail is available in 4 compatible systems which are suited to particular roof edge conditions. Each Guardrail system is designed to be compatible for use with other system types in the range and are of modular design for ease of specification.



## Support Components

Cost-effective, non-penetrative support solutions for roof plant, access and services.

### Base Only

- A simple support option, compatible with 41x41mm strut. Allows contractors to create their own bespoke support solutions. Comes complete with 4mm bonded rubber mat.

### Base and Leg

- Complete leg assembly that facilitates adjustment between a target height range of 260-390mm. As with the Base Only, a 4mm bonded rubber mat is included.

### Click Foot

- A versatile product that connects together in increments of 250mm to form a bespoke services support solution. Dimensions are 180mm x 250mm.

### Roof Block

- Simple, cost effective and recycled rubber supports for pipes, ducts and cable.



## H Frames

Simple solutions to support service runs such as ductwork, pipework and cable trays.

### H Frames & H Frame Kits

- 300mm or 450mm bases are available. Depending on project requirements, complete H Frames or H Frame Kits (H Props) can be supplied.

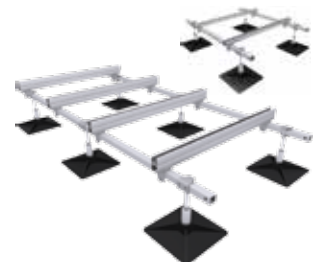


## Modular Frames

Two solutions, providing effective support options for various types of roof plant.

### Standard and Long Span Modular Frames

- 300mm and 450mm Sure-Foot bases are available. Standard Modular Frames come complete with 41x41mm strut, along with a choice of adjustable leg assemblies. The Extender Frame comes with 2 additional Sure-Foot leg assemblies to create custom solutions.
- Long Span Frames differ in that 2m Heavy Duty Box Sections are provided rather than the standard 1.5m Box Sections.



## Edge Protection

Guardrail system solutions for 4 different roof edge conditions.

### Guardrail

- Free-standing, Folding, Top-Fix and Parapet edge protection systems are available. Each system is designed to be fully compatible with other in the range and is supplied in kit form, for easy installation.





# ANCILLARY PRODUCTS

## EDGE PROTECTION

Lightweight edge protection systems, ideal for collective fall protection measures on flat roofs.

Sure-Foot Guardrail is available in 4 compatible systems which are suited to particular roof edge conditions. Each Guardrail system is designed to be compatible for use with other system types in the range and are of modular design for ease of specification.

Systems are supplied in kit form for quick installation and are exceptionally stable, lightweight and durable. No on-site bending/welding is required, resulting in time and cost savings.



## ROOF SERVICE ENTRY AND UPSTANDS

Weatherproofing penetrations for pipe and cable entry in flat roof plant areas

Roof-Pro risers provide the building team and service engineers a consistent quality solution for necessary penetrative details on flat roofs. PP3 and Roof-Nek offer increased assurances that the cable and pipe access points will be efficiently watertight and insulated. The design allows M&E trades easy access to run cable and pipes. Once installed, the building is immediately dry, and following trades can fully access the riser by temporarily removing the lid. The vapour seal should be made at deck level.



## PROEXP EXPANSION JOINT TAPE

Fully-integrated flat expansion joint sealed into the waterproofing. ProEXP expansion joint tapes are compatible with bituminous membranes, asphalt and epoxy. They are ideal solutions for new-build projects, as well as for joint repair within refurbishment projects. Both products can easily be integrated into waterproofing build-ups, but can also accommodate projects with complex changes in direction. The two solutions can also be joined together on-site, permitting a phased approach to a continuous joint which means there are no weak points and the joint can be installed efficiently.



# ANCILLARY PRODUCTS

## LIGHTNING CONDUCTOR FIXING

Easy to install and secure, Lite-Anchor is a compatible fixing to secure lightning conductor tape to a flat roof membrane.

Easy to use, Lite-Anchor provides a superior detail to accommodate high levels of movement without exerting stress on the bond to the roof.

Lite-Anchor is approved by the National Federation of Master Steeplejacks and Lightning Conductor Engineers.



## VENTILATION PIPES

### ProVent

Ventilation Outlets for flat roof refurbishment and new build projects.

The ProVent is used for the flashing of soil pipes which penetrate the roof construction and the roofing membrane.

The vent pipe cover is a systematic and secure solution that provides both a watertight flashing of the roofing membrane and an airtight extension of the soil pipe above the roof. The Roof-Pro ProVent can be supplied for both bituminous and synthetic roofing membranes.



## RAINWATER OUTLETS

### ProDrain

Rainwater outlets for flat roof refurbishment and new build projects. ProDrain Rainwater Outlets are a range of versatile units that are available in a large range of sizes for new build and refurbishment applications. The large flange provides excellent coverage and is available in various waterproofing membranes to suit the relevant roof covering. This flange is factory bonded to the spigot of the outlet which ensures a reliable watertight connection. The spigot is manufactured from high quality, corrosion resistant stainless steel and the 'O' ring provides an excellent seal whilst still allowing for movement. A variety of leaf guards are available.



## ANCILLARY PRODUCTS

### DRAIN GUARDS AND GRILLS

**ProGuard**

Drain Guards and Grills for outlets and Parapet Outlets. Stainless steel guards and grill help prevent blocking of outlets by debris, for use with the ProDrain range in parapet or through-wall applications.



Roof Edge Protection  
The Arcadian, Birmingham



## ANCILLARY PRODUCTS

### LEAD-FREE FLASHING

ProFlash is a lead free, polyethylene flashing.

ProFlash can be used in areas where traditional lead flashing would be used such as chimney and abutment flashings, around rooflights and pitched valley linings. ProFlash can also be used to form a damp proof course and cavity trays in masonry walls.

ProFlash is made from a modified polyethylene compound with an integral aluminium mesh reinforcement, enabling the product to be worked and formed in the same way as lead.

The product is faced with a fine black mineral.



### ROFFTOP WALKWAY SYSTEMS

WalkwayPro is a porous self-draining roof matting system applied on flat roofs. WalkwayPro is manufactured from recycled rubber granulate and yellow EPDM rubber edges. This provides a stability-inducing grip to the self draining, slip resistant walkway.

Its edges can easily be identified due to their bright yellow colouring. As the Yellow edges contain only EPDM rubber they will be resistant to fading or discolouration.

Both straight and corner tiles are available to suit your project. Tiles can easily be cut on site using a craft knife or fine toothed saw.



### FIXING POINTS FOR BALUSTRADES, COLD ROOF AND WARM ROOF CONSTRUCTIONS

Rainwater outlets for flat roof refurbishment and new build projects. ProDrain Rainwater Outlets are a range of versatile units that are available in a large range of sizes for new build and refurbishment applications.

The large flange provides excellent coverage and is available in various waterproofing membranes to suit the relevant roof covering. This flange is factory bonded to the spigot of the outlet which ensures a reliable watertight connection. The spigot is manufactured from high quality, corrosion resistant stainless steel and the 'O' ring provides an excellent seal whilst still allowing for movement. A variety of leaf guards are available.





VISIT OUR  
WEBSITE FOR:

- Detailed product information
- Downloadable brochures
- CAD / BIM files
- Datasheets
- Videos
- Latest news

CONTACT ROOF-PRO  
SUPPORT MANAGEMENT  
SYSTEMS

Telephone: 01536 383 865  
Email: [info@roof-pro.co.uk](mailto:info@roof-pro.co.uk)  
Website: [www.roof-pro.co.uk](http://www.roof-pro.co.uk)







For further technical information such as Product Datasheets,  
CAD and BIM Details  
visit [www.roof-pro.co.uk](http://www.roof-pro.co.uk) today.





[www.roof-pro.co.uk](http://www.roof-pro.co.uk)

Telephone: 01536 383 865



**ALUMASC**

**ROOFING SYSTEMS**

Alumasc Exterior Building Products Ltd  
White House Works, Bold Road  
Sutton, St Helens,  
Merseyside WA9 4JG  
Enquiries: +44 (0) 3335 771 500  
Main Reception: +44 (0)1744 648400  
Email: [roofing@alumasc-exteriors.co.uk](mailto:roofing@alumasc-exteriors.co.uk)

---

All reasonable care has been taken in the preparation of this brochure, all information, recommendations and guidance notes on the use of The Products are made without guarantee since the conditions of use are beyond the control of Alumasc Exterior Building Products Limited (The Company).

The customer is responsible for ensuring that each product is fit for its intended purpose and that conditions for use are suitable.

The information contained in this brochure and advice arising there from is free of charge and accordingly on the terms that no liability nor liability for negligence will attach to The Company or its servants in relation to any such service arising out of or in connection with this brochure.

The Company pursues a policy of constant product development and information contained in this publication is therefore subject to change without notice.

---