

TRIED, TESTED
TRUSTED

ALUMASC

ROOFING SYSTEMS

ARMASEAM E
METAL ROOFING SOLUTIONS

Metal Roofing Systems

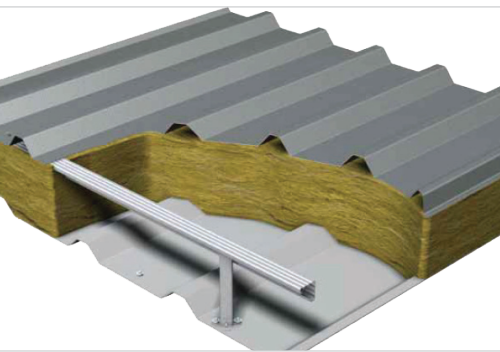


*“A range of roof systems
for **all** eventualities”*

www.alumascroofing.co.uk

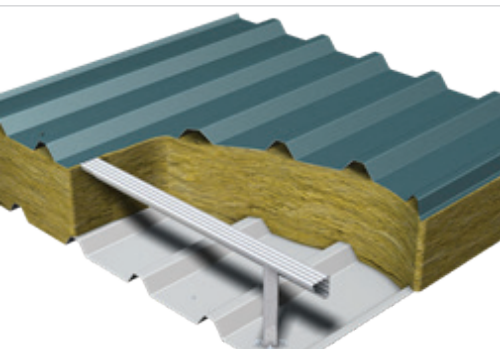
The attributes stated below provide a heightened level of flexibility and performance levels for any project or application type.

All the cladding used in Armaseams Metal Roofing range is recyclable thus minimising any potential ecological effects. Armaseam systems are also non-combustible, being constructed from various inert, fire-resistant materials such as mineral fibre and various steels and aluminiums.



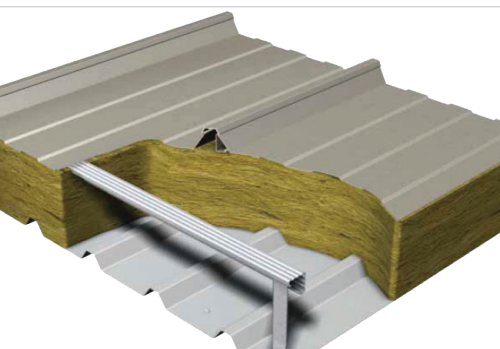
Armaseam E1

Cost effective trapezoidal profile
Lightweight system
U-values down to 0.17W/m²K using 260mm Spacer
Minimum recommended design pitch of 4°
Self-curve down to 45m radius
Good acoustic performance
Ideal for industrial and warehouse applications.



Armaseam E2

Popular trapezoidal profile
More robust liner panel allows quicker installation
U-values down to 0.14W/m²K using 320mm Spacer
Minimum recommended design pitch of 4°
Self-curve down to 45m radius
Better acoustic performance than E1
Great for Industrial, warehouse and retail developments



Armaseam E3

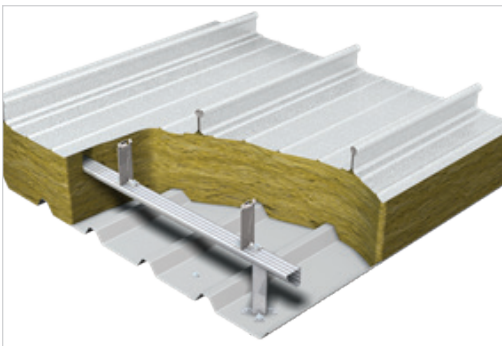
No endlaps or through fixings rolled as single length sheets self curve down to 50m radius
Onsite manufacture on the ground or at building eaves
U-values down to 0.14W/m²K using 320mm spacer
Minimum finished pitch 1°
Self-curve down to 50m radius
Excellent acoustic properties
Developed for long-span distribution centres, education, leisure and retail

This brochure outlines the key information in relation to each of the Armaseam E Metal Roofing Systems Components.

Our in house technical department can provide you with bespoke technical drawings based around your project and if you have any further questions, call Alumasc Roofing Systems.

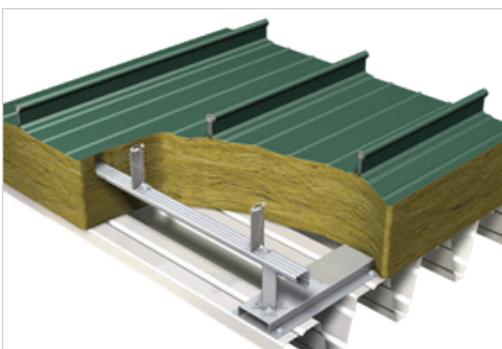
Visit www.alumascroofing.co.uk to download datasheets, NBS documents, standard CAD/BIM files or brochure PDFs.

Alternatively, call 03335 771 500 or email info@alumasc-exteriors.co.uk



Armaseam E4

Premium, low pitch aluminium standing seam roof
 Single length sheets with no end laps
 Onsite manufacture including curved and tapered sheets
 U-values down to 0.13W/m2K using 320mm spacer
 Minimum actual pitch of 1°
 Self-curve down to 45m, induced down to 8m radius
 Excellent acoustic properties
 Adaptable solution



Armaseam E5

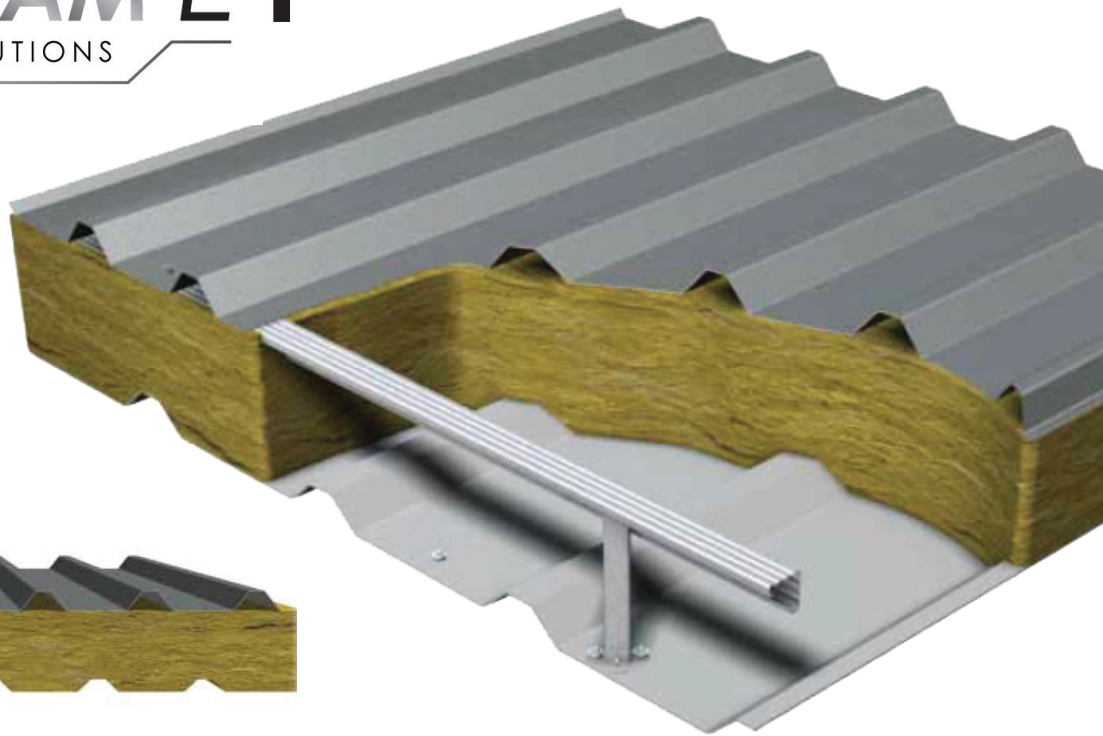
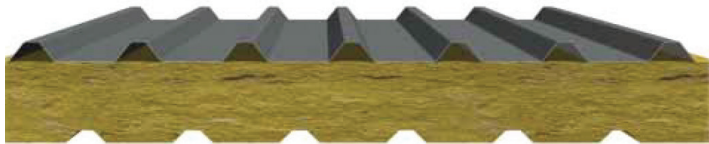
Bespoke aluminium standing seam with structural deck
 Structural deck with spans of up to 10m
 U-values down to 0.11W/m2K using 320mm Quattro spacer
 Minimum actual pitch of 1°
 Self-curve down to 45m, induced down to 8m radius
 Excellent acoustic properties
 Superb choice for education, sports/leisure and retail

For further information or technical advice call 03335 771 500

ARMASEAM E1

METAL ROOFING SOLUTIONS

E1 is recommended for use in designs with a roof pitch greater than 4°. It uses Colorcoat HPS200® Ultra, Colorcoat Prisma® pre-finished steel, or aluminium in smooth PVDF or ARS coated finish. The 32/1000 roof external profile is fixed to the Alumasc spacer system, which creates the insulation gap between the outer sheet and the 19/1000 liner.



SPECIFICATIONS

External	<p>Alumasc 0.7mm steel Colorcoat HPS200® Ultra Colorcoat Prisma®</p> <p>Alumasc 0.9mm aluminium ARS coating PVDF coating</p>
Spacer system	Alumasc Spacer
Insulation	Various options available
Liner panel	Alumasc 0.4mm steel
System components	<p>Available from Alumasc: Fasteners, Flashings, Membranes Tapes, Mastic and Sealants, Fabrications</p> <p>Direct from manufacturer: PV solutions, Fall arrest and Fall restraint Standard U-value rooflights Roof penetrations</p>

SYSTEM BENEFITS

- All products CE Marked
- Recommended Installers
- Building Regulations Part L2 compliant
- Comprehensive technical support
- Confidex® Guarantee with Colorcoat HPS200® Ultra and Colorcoat Prisma®
- Curved eaves and ridge sheets available
- Ease of specification, costing and installation
- Environmentally-friendly components and manufacture
- Fast installation
- Good acoustic performance
- Lightweight system
- Manufactured with ISO 14001:2004 accredited systems
- Manufactured with ISO 9001:2008 accredited systems
- Matching flashings
- NBS Specifications
- Non-combustible
- Proven components
- Self-curve down to 45m radius
- Single point procurement and responsibility
- Zero ODP and no added greenhouse gases

PERFORMANCE

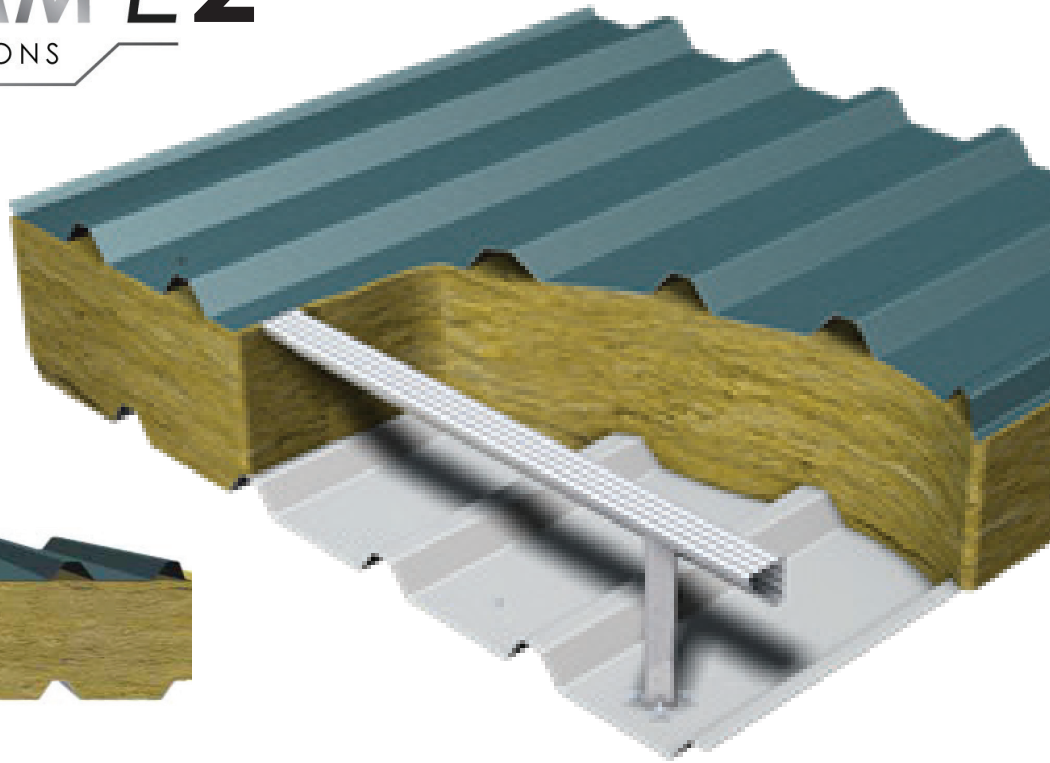
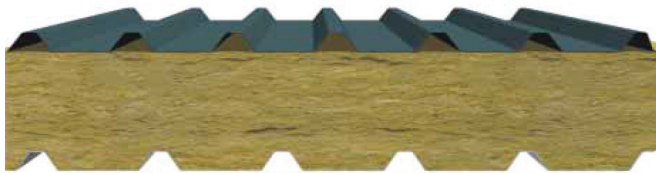
U-value	Bracket	0.040 W/mK insulation
0.25W/m2K - AD-L2A 2010 back stop value compliant	180mm	180mm
0.17W/m2K - 2013 notional building value compliant	260mm	260mm

ARMASEAM E2

METAL ROOFING SOLUTIONS

E2 lends itself to almost any roof application with a pitch of 4° or more.

It uses Colorcoat HPS200® Ultra, Colorcoat Prisma® pre-finished steel, or aluminium in smooth PVDF or ARS coated finish. The external roof profile is fixed to the Alumasc spacer system, which creates the insulation gap between the outer sheet and the liner, which is available with standard or perforated sheets for acoustic purposes.



SPECIFICATIONS

External	<p>Alumasc 0.7mm steel Colorcoat HPS200® Ultra Colorcoat Prisma®</p> <p>Alumasc 0.9mm aluminium ARS coating PVDF coating</p>
Spacer system	Alumasc Spacer
Insulation	Various options available
Liner panel	Alumasc 0.7mm steel
System components	<p>Available from Alumasc: Fasteners, Flashings, Membranes Tapes, Mastic and Sealants, Fabrications</p> <p>Direct from manufacturer: PV solutions, Fall arrest and Fall restraint Standard U-value rooflights Roof penetrations</p>

SYSTEM BENEFITS

- All products CE Marked
- Recommended Installers
- Building Regulations Part L2 compliant
- Comprehensive technical support
- Confidex® Guarantee with Colorcoat HPS200® Ultra and Colorcoat Prisma®
- Curved eaves and ridge sheets available
- Ease of specification, costing and installation
- Environmentally-friendly components and manufacture
- Fast installation
- Good acoustic performance
- Lightweight system
- Manufactured with ISO 14001:2004 accredited systems
- Manufactured with ISO 9001:2008 accredited systems
- Matching flashings
- NBS Specifications
- Non-combustible
- Proven components
- Self-curve down to 45m radius
- Single point procurement and responsibility
- Zero ODP and no added greenhouse gases

PERFORMANCE

U-value	Bracket	0.040 W/mK insulation
0.25W/m2K - AD-L2A 2010 back stop value compliant	185mm	180mm
0.18W/m2K - 2013 notional building value compliant	260mm	260mm

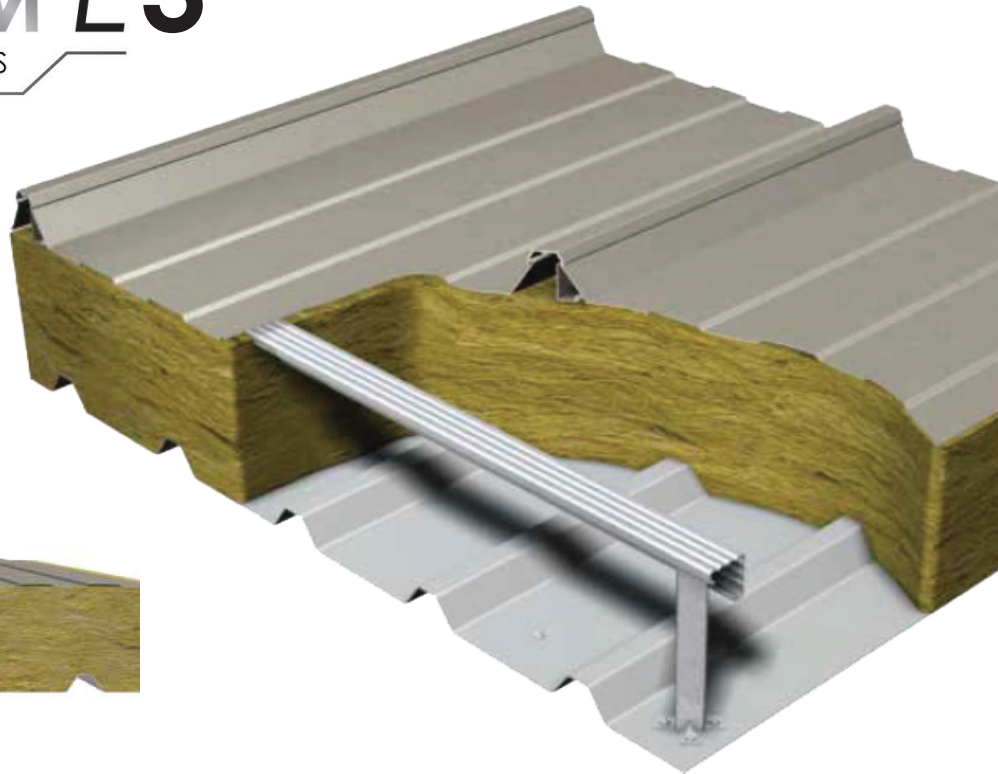


ARMASEAM E3

METAL ROOFING SOLUTIONS

E3 is the system to use for low pitch roof applications where speed of fixing and guaranteed performance is paramount.

These attributes are complemented by the continuity of finish, colour and material choice. E3 has low visual impact, allowing clean uncluttered rooflines. Systems are available with standard or perforated sheets for acoustic purposes.



SPECIFICATIONS

External	Alumasc 0.7mm steel Colorcoat HPS200® Ultra Colorcoat Prisma®
Spacer system	Alumasc Spacer
Insulation	Various options available
Liner panel	Alumasc 0.7mm steel
System components	Available from Alumasc: Fasteners, Flashings, Membranes Non-penetrative clamps for attachment of PV arrays and other roof mounted installations such as walkways, Tapes, Mastic and Sealants, Fabrications Direct from manufacturer: PV solutions, Fall arrest and Fall restraint Standard U-value rooflights Roof penetrations

SYSTEM BENEFITS

- All products CE Marked
- Recommended Installers
- Building Regulations Part L2 compliant
- Comprehensive technical support
- Confidex® Guarantee with Colorcoat HPS200® Ultra and Colorcoat Prisma®
- Curved eaves and ridge sheets available
- Ease of specification, costing and installation
- Environmentally-friendly components and manufacture
- Fast installation
- Very Good acoustic performance
- Lightweight system
- Manufactured with ISO 14001:2004 accredited systems
- Manufactured with ISO 9001:2008 accredited systems
- Mobile manufacturing at the construction site
- Matching flashings
- NBS Specifications
- Non-combustible
- Proven components
- Roll at eaves directly onto the roof
- Self-curve down to 45m radius
- Single point procurement and responsibility
- Zero ODP and no added greenhouse gases

PERFORMANCE

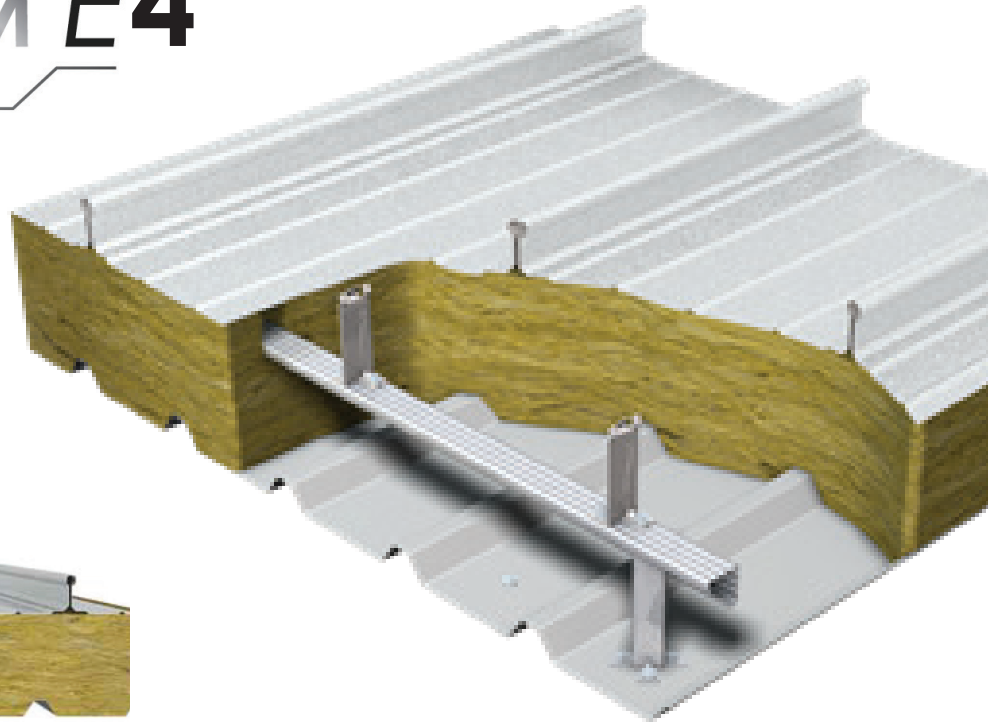
U-value	Bracket	0.040 W/mK insulation
0.25W/m2K - AD-L2A 2010 back stop value compliant	185mm	180mm
0.18W/m2K - 2013 notional building value compliant	260mm	260mm



ARMASEAM E4

METAL ROOFING SOLUTIONS

E4 uses the Alumasc standing seam profile as the outer sheet and can be supplied in natural stucco embossed aluminium, pre-painted PVDF or ARS, or Organic Patina. It provides the flexibility needed to achieve aesthetically pleasing yet functional designs for industrial or architectural applications. uncluttered rooflines. Systems are available with standard or perforated sheets for acoustic purposes.



SPECIFICATIONS

External	Alumasc 0.7mm steel Plain Mill Stucco Embossed PVDF ARS Organic Patina
Spacer system	Alumasc Spacer and halters
Insulation	Various options available
Liner panel	Alumasc 0.7mm steel
System components	Available from Alumasc: Fasteners, Flashings, Membranes, Non-penetrative clamps for attachment of PV arrays and other roof mounted installations such as walkways Direct from manufacturer: PV solutions, Fall arrest and Fall restraint Standard U-value rooflights Roof penetrations

SYSTEM BENEFITS

- All products CE Marked
- Recommended Installers
- Building Regulations Part L2 compliant
- Comprehensive technical support
- Confidex® Guarantee with Colorcoat HPS200® Ultra and Colorcoat Prisma®
- Curved eaves and ridge sheets available
- Ease of specification, costing and installation
- Environmentally-friendly components and manufacture
- Fast installation
- Excellent acoustic performance
- Induced curves down to 8m
- Lightweight system
- Manufactured with ISO 14001:2004 accredited systems
- Manufactured with ISO 9001:2008 accredited systems
- Mobile manufacturing at the construction site
- Matching flashings
- NBS Specifications
- Non-combustible
- Proven components
- Roll at eaves directly onto the roof
- Self-curve down to 45m radius
- Single point procurement and responsibility
- Zero ODP and no added greenhouse gases

PERFORMANCE

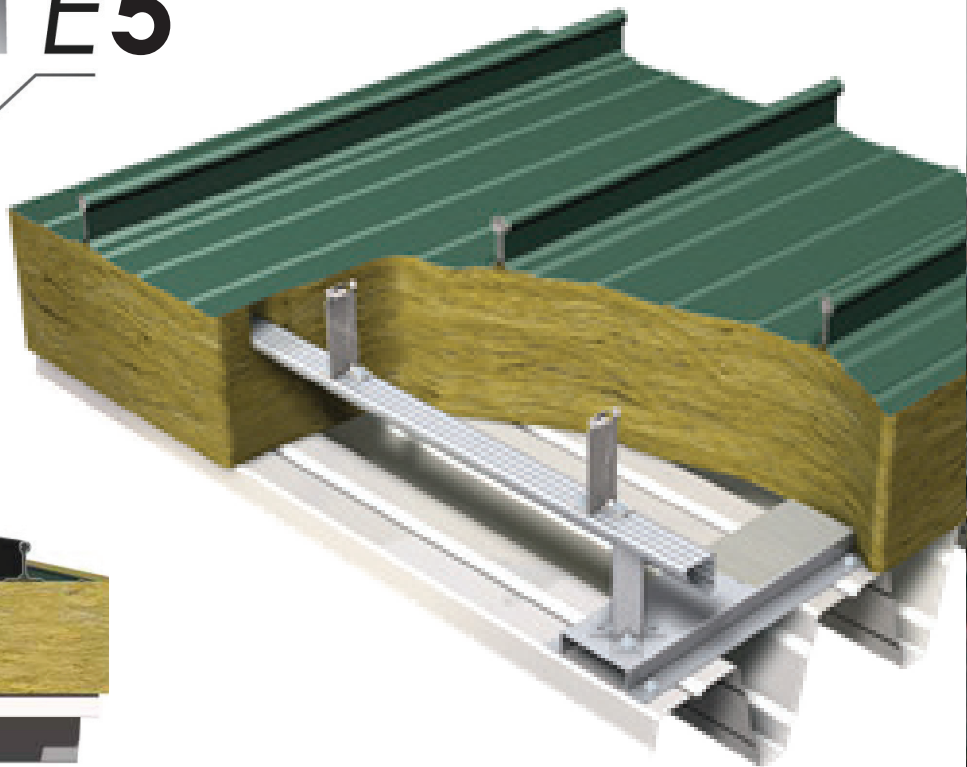
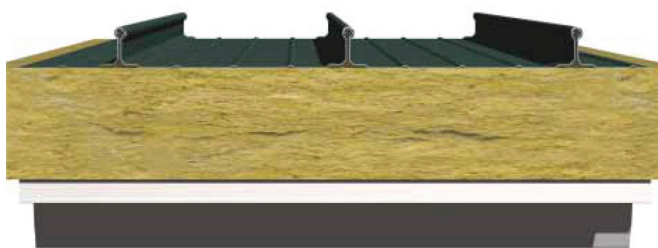
U-value	Bracket	0.040 W/mK insulation
0.25W/m2K - AD-L2A 2010 back stop value compliant	150mm	200mm
0.17W/m2K - 2013 notional building value compliant	220mm	280mm

ARMASEAM E5

METAL ROOFING SOLUTIONS

E5 uses the Alumasc standing seam profile as the outer sheet. Quattro supports the construction with insulation over a choice of structural decks, which remove the need for purlins.

An innovative new halter design reduces costs and the system provides flexibility through bespoke specification, lightweight materials, long spans and long sheet lengths.



SPECIFICATIONS

External	Alumasc 0.7mm steel Plain Mill Stucco Embossed PVDF ARS Organic Patina
Spacer system	Alumasc Spacer and halters
Insulation	Various options available
Liner panel	Structural Deck
System components	Available from Alumasc: Fasteners, Flashings, Membranes Non-penetrative clamps for attachment of PV arrays and other roof mounted installations such as walkways, Tapes, Mastic and Sealants, Fabrications Direct from manufacturer: PV solutions, Fall arrest and Fall restraint Standard U-value rooflights Roof penetrations

SYSTEM BENEFITS

- All products CE Marked
- Recommended Installers
- Building Regulations Part L2 compliant
- Comprehensive technical support
- Confidex® Guarantee with Colorcoat HPS200® Ultra and Colorcoat Prisma®
- Curved eaves and ridge sheets available
- Ease of specification, costing and installation
- Environmentally-friendly components and manufacture
- Fast installation
- Outstanding acoustic performance
- Induced curves down to 8m
- Lightweight system
- Manufactured with ISO 14001:2004 accredited systems
- Manufactured with ISO 9001:2008 accredited systems
- Mobile manufacturing at the construction site
- Matching flashings
- NBS Specifications
- Non-combustible
- Proven components
- Roll at eaves directly onto the roof
- Self-curve down to 45m radius
- Single point procurement and responsibility
- Zero ODP and no added greenhouse gases

PERFORMANCE

U-value	Bracket	0.040 W/mK insulation
0.25W/m2K - AD-L2A 2010 back stop value compliant	100mm	200mm
0.17W/m2K - 2013 notional building value compliant	180mm	280mm

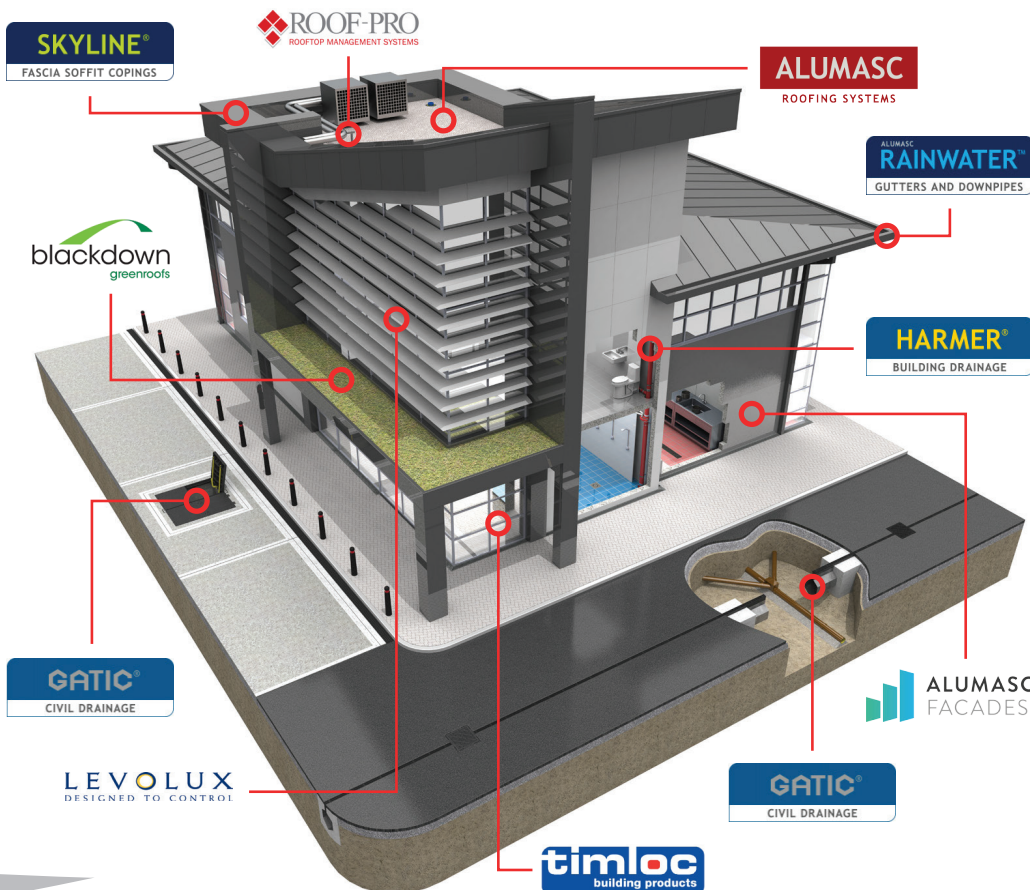


Alumasc is a UK based supplier of premium building products, systems and solutions



The Single Source External Building Product Package

A seamless solution backed up by unparalleled technical support and extensive warranties



All Alumasc Group businesses have strong UK market positions within their individual market niches.

Alumasc Group sustains this strong strategic positioning by offering customers quality products, service and trust along with high levels of technical knowledge and support from start to finish.

t: 0333 577 1500
e: info@alumasc-exteriors.co.uk
w: www.alumasc-exteriors.co.uk

www.alumasc.co.uk

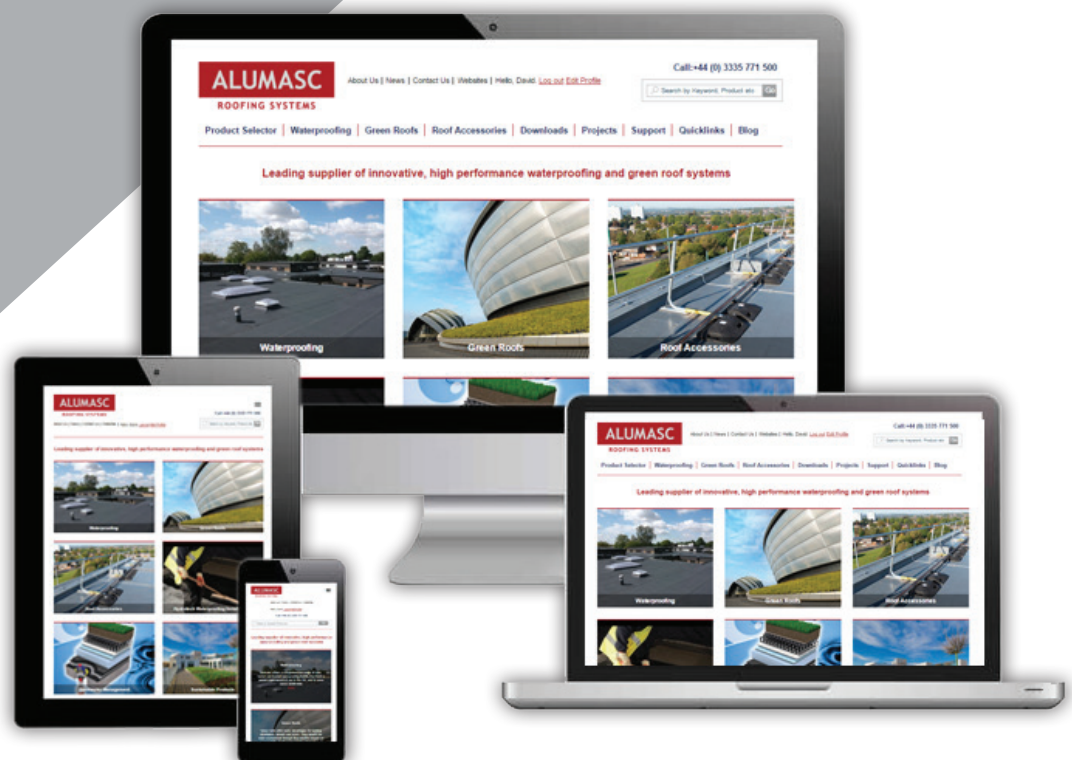
If you are interested in any of our products or services and would like further technical information please contact **03335 771 500**.

Download all the documents you need for your project via any device at www.alumascroofing.co.uk

The Alumasc Roofing Systems Website:

Provides comprehensive technical information on all aspects of Alumasc's roofing and waterproofing systems.

- NBS specifications
- CAD downloads
- Online Calculators
- Product & Safety Datasheets
- Technical Datasheets
- BBA/ETA Certificates
- Supporting Information



ALUMASC

ROOFING SYSTEMS

Leader in the specification of high performance waterproofing and green roof systems



ALUMASC EXTERIOR BUILDING PRODUCTS LTD

White House Works, Bold Road, Sutton,
St Helens, Merseyside, WA9 4JG
United Kingdom

Tel: +44 (0)1744 648400

Website: www.alumascroofing.co.uk

E-mail: info@alumascroofing.co.uk