

CALTECH METCOAT



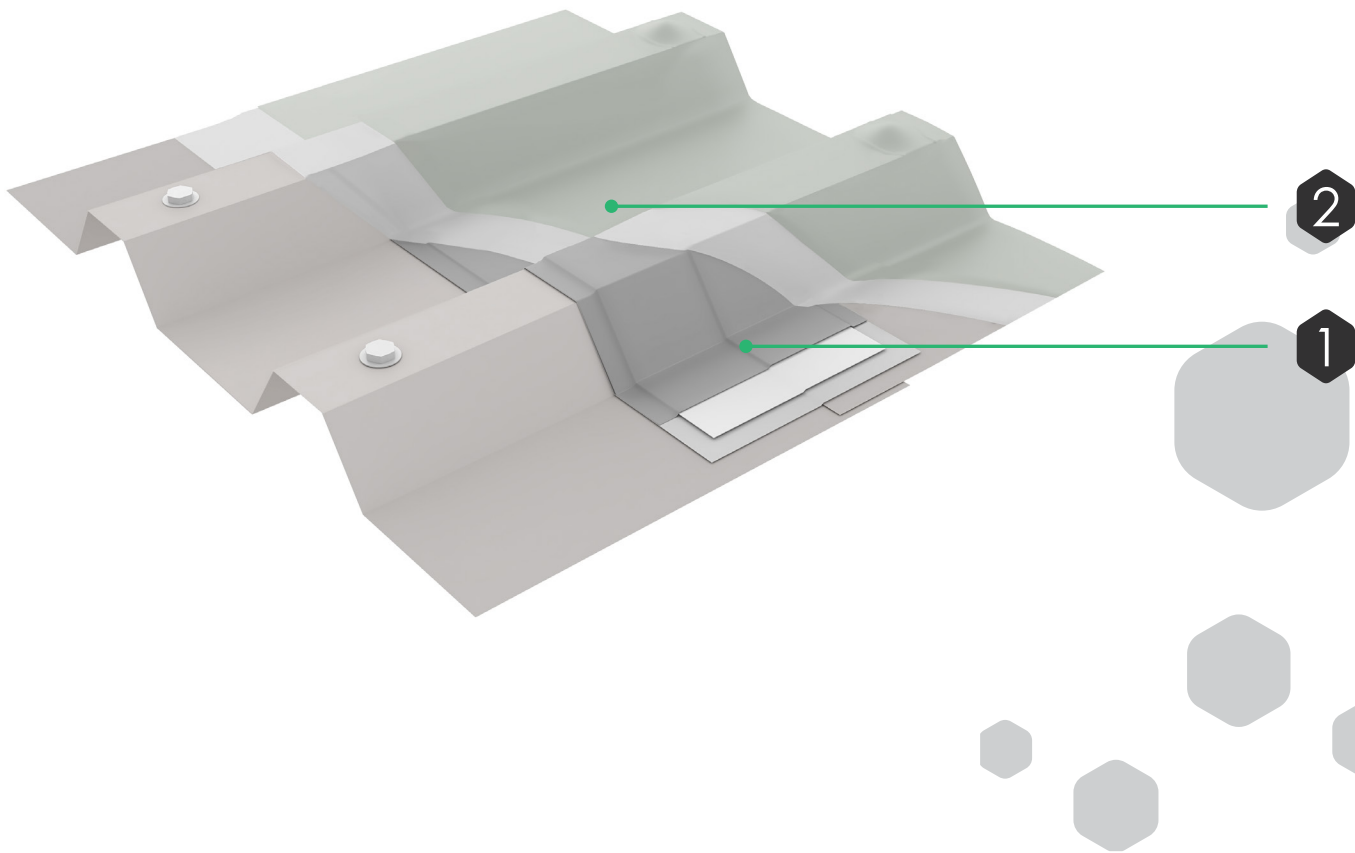
Caltech METcoat High Performance Roofing Systems comprise a two component, cold-applied, moisture-triggered modified acrylic/urethane based resin specifically developed for the refurbishment of mechanically sound existing pitched roofs and cut edge corrosion. Applied in liquid form in just one or two coats to form a seamless durable membrane with up to 20 years of waterproof protection, depending on the system specified. Available in an extensive range of colours offering any RAL/BS/NCS shade.

✓ Where to Specify

- Refurbishment
- Cold roofs
- Overlay of existing pitched roofs
- Compatible with all conventional metal profiled materials

✓ Durability

When installed on stable substrates the system will have a life of up to 20 years, subject to specification.



Full Waterproofing System - 15 Year System	
2	Two coats of Caltech METcoat @ 10m ² /l per coat
1	Caltech METedge (reinforced side & end laps)
	Caltech METprime @ 15m ² /l per coat

Full Waterproofing System - 20 Year System	
2	Three coats of Caltech METcoat @ 10m ² /l per coat
1	Caltech METedge (reinforced side & end laps)
	Caltech METprime @ 15m ² /l per coat

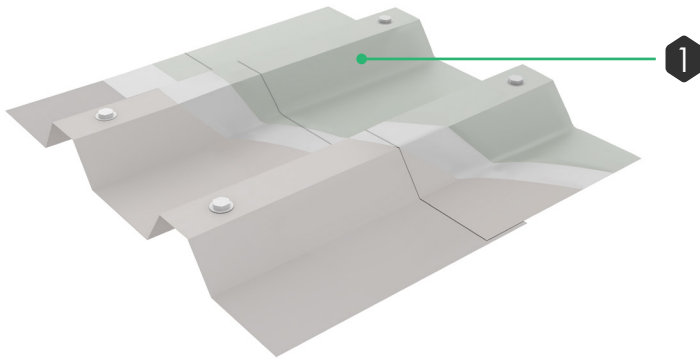
CALTECH METCOAT

Other Common System Types



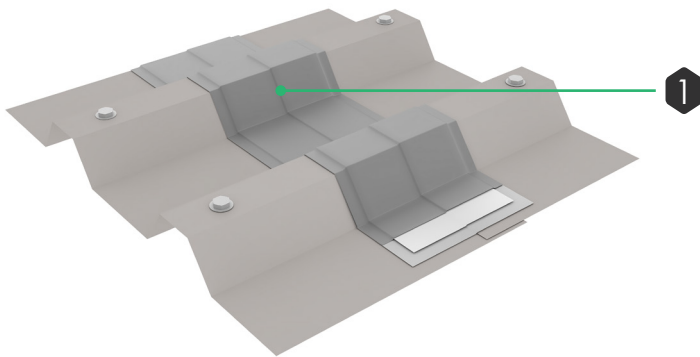
ALUMASC
ROOFING

Basic Aesthetics Only



1	Two coats of Caltech METcoat @ 10m ² /l per coat
	Caltech METprime, subject to substrate type

METedge - Cut Edge Corrosion



1	Caltech METedge (reinforced side & end laps)
	Caltech METprime @ 15m ² /l per coat



Warranties

Alumasc offers a comprehensive range of single-source warranty options for up to 20 years. Installed exclusively by Registered Contractors and underpinned by Alumasc's extensive project support service, Alumasc warranties cover product, workmanship, and design.



Technical Support

Alumasc Technical Services can advise on all aspects of product selection, specification and integration of Alumasc systems into any building design.



+44 (0)1744 648400



technical@alumascroofing.com



www.alumascroofing.com

Ref: SSDS-CAL005 Issued:01/07/21